



# Cutting and seaming guide for s-wave<sup>®</sup>

s-wave<sup>®</sup>.ch

## Cutting and seaming guide for s-wave®

The fabric fullness has a significant effect on the complete window decoration's appearance. Depending on the desired effect, a fabric fullness of 1.2 times the curtain track size up to a fullness of two times the track size may be imagined.

With a larger fabric fullness, the waves require more space in depth; in this case, ensure that there is a sufficient space to the wall. With the glider distance of 6 cm, less wall space is required with the same fabric fullness than for a glider distance of 8 cm (see example 2+3).

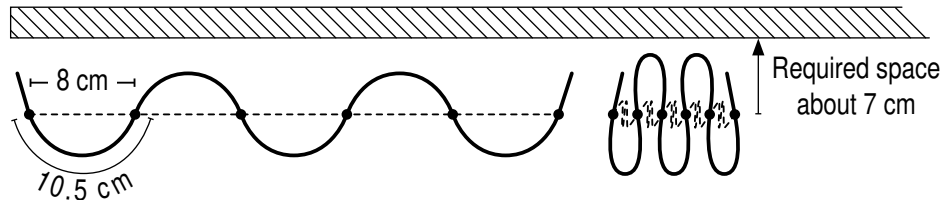
View from the top: ● = Glider    - - - - = Connection cord    — = Fabric    ▨ = Wall

With less fabric fullness, the waves are less pronounced and flatter.

### Example 1

Fabric fullness **1:1.3**

Glider distance **8 cm**

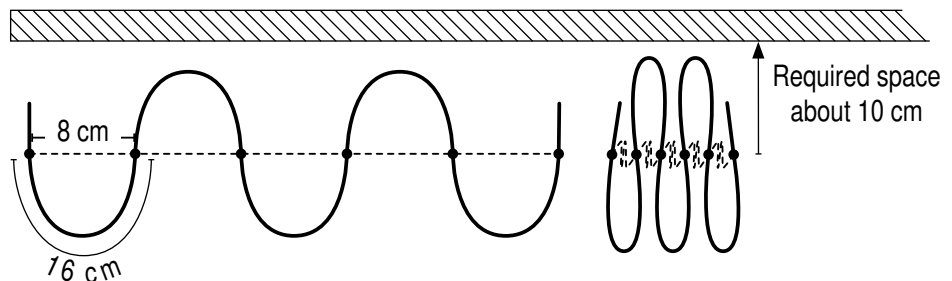


With more fabric fullness, the waves are more pronounced and deeper.

### Example 2

Fabric fullness **1:2**

Glider distance **8 cm**

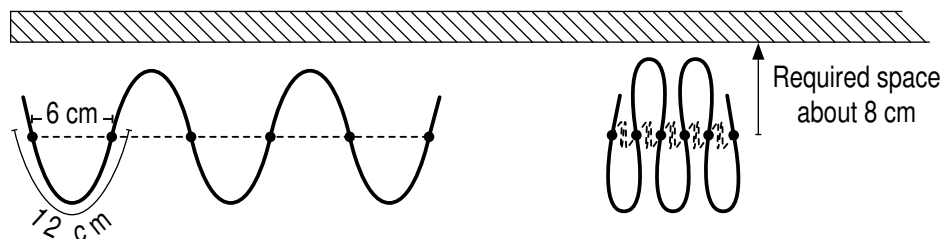


The distance of the gliders on the cord also affects look and depths of the waves.

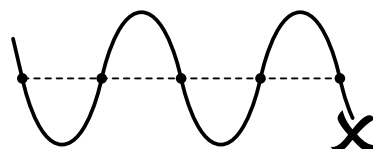
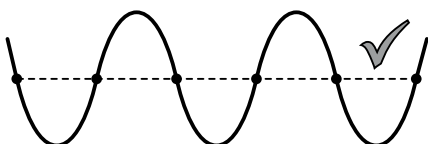
### Example 3

Fabric fullness **1:2**

Glider distance **6 cm**



In any case an odd number of spaces or an even number of gliders is required. This means that both lateral seams are located on the back only when the decoration is complete.



The most important dimensions for the s-wave® decoration are the desired decoration height, the curtain track length and the available wall space.

Cutting height = Decoration height + hem allowance

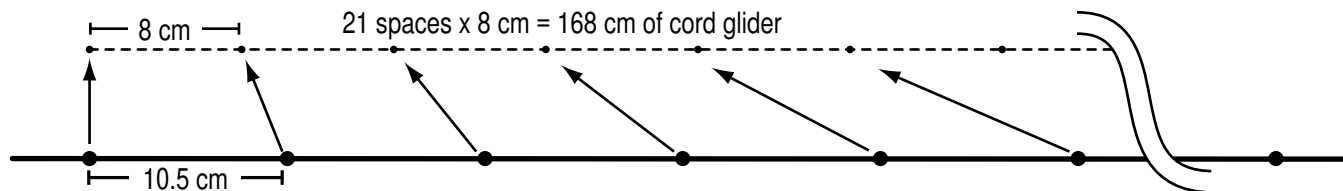
Cutting width = Complete fabric width + hem allowance

View from above: ● = Glider    - - - - = Connection cord    — = Fabric

Example 1	Fabric fullness . . . . . 1:1.3 (1.3 times the track length)
	Glider distance . . . . . 8 cm
	Curtain track length . . . . . 165 cm

Calculation of the cord glider's length

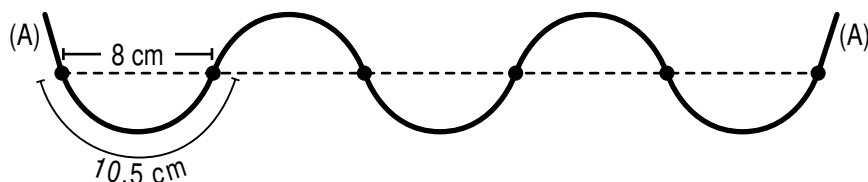
Track 165 cm : 8 cm = 20.625 spaces -> Rounded to the next odd number of spaces = 21 spaces



Calculation of the complete fabric width

In this example, with 1.3 times fabric fullness, the gliders are attached to the fabric with a distance of 10.5 cm (corresponding to 1.3 times glider distance of 8 cm). The complete fabric width is calculated by multiplying the cord glider's length (168 cm) by 1.3 as well, here resulting in 219 cm.

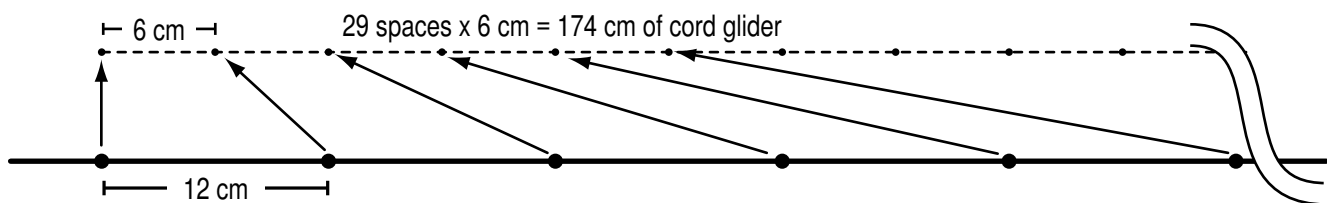
We recommend that you increase the width by approximately one half of the wave's depth (= glider distance x fabric fullness : 2). In this example the first and last glider can be attached with a distance of 2.6 cm to the lateral edge (A).



Example 3	Fabric fullness . . . . . 1:2 (2 times the track length)
	Glider distance . . . . . 6 cm
	Curtain track length . . . . . 165 cm

Calculation of the cord glider's length

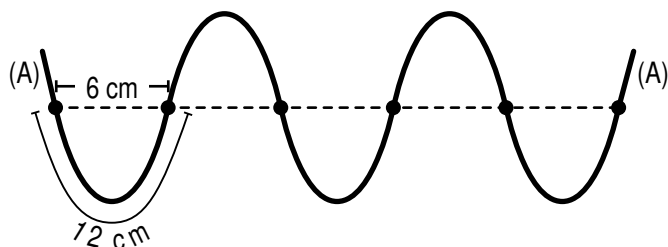
Track 165 cm : 6 cm = 27.5 spaces -> Rounded to the next odd number of spaces = 29 spaces



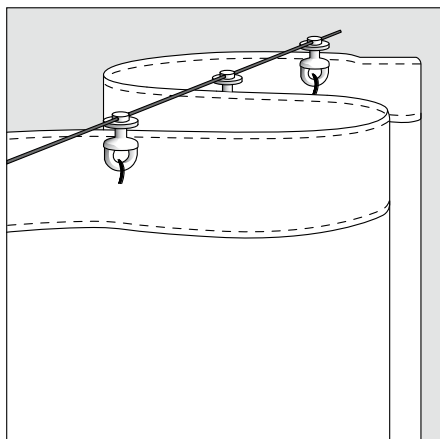
Calculation of the complete fabric width

In this example, with 2 times fabric fullness, the gliders are attached to the fabric with a distance of 12 cm (corresponding to 2 times the glider distance of 6 cm). The complete fabric width is calculated by multiplying the cord glider's length (174 cm) by 2 as well, here resulting in 348 cm.

We recommend that you increase the width by approximately one half of the wave's depth (= glider distance x fabric fullness : 2). In this example the first and last glider can be attached with a distance of 3 cm to the lateral edge (A).

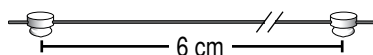


Sew the eye gliders directly onto the fabric at the calculated distance.

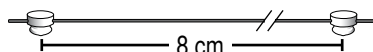


Components

Art. no.	Description	Packaging
14536 /025	Cord with 6 cm interval	25 m
/100		100 m



14538 /025	Cord with 8 cm interval	25 m
/100		100 m



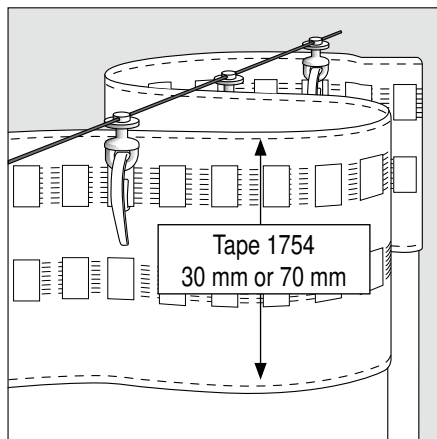
14531	Glider Mini with eyelet for curtain tracks Mini	100 ct
-------	---	--------



14532	Glider Maxi with eyelet for curtain tracks Maxi	100 ct
-------	---	--------

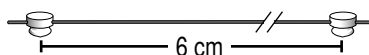


With the hook fasten the glider through the eyelet to the stitched-on pocket tape

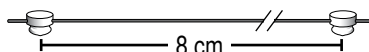


Components

Art. no.	Description	Packaging
14536 /025	Cord with 6 cm interval	25 m
/100		100 m



14538 /025	Cord with 8 cm interval	25 m
/100		100 m



14531	Glider Mini with eyelet for curtain tracks Mini	100 ct
-------	---	--------



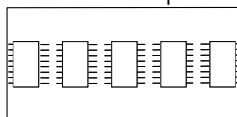
14532	Glider Maxi with eyelet for curtain tracks Maxi	100 ct
-------	---	--------



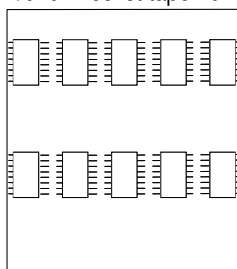
14154	Curtain hook	100 Stk
-------	--------------	---------



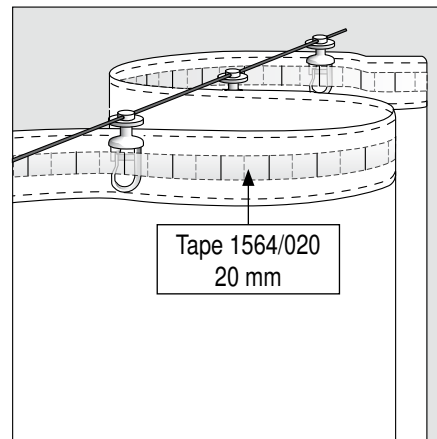
1754 /030	Pocket tape 30 mm	50 m
-----------	-------------------	------



1754 /070	Pocket tape 70 mm	50 m
-----------	-------------------	------

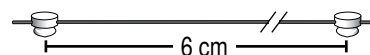


Hook the hook glider into the stitched-on pocket tape.

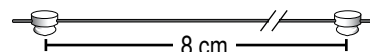


Components

Art. no.	Description	Packaging
14536 /025	Cord with 6 cm interval	25 m
/100		100 m



14538 /025	Cord with 8 cm interval	25 m
/100		100 m



14533	Glider Mini with hook for curtain tracks Mini	100 ct
-------	---	--------



14534	Glider Maxi with hook for curtain tracks Maxi	100 Stk
-------	---	---------



1569 /020	Universal tape 20 mm	50 m
-----------	----------------------	------

